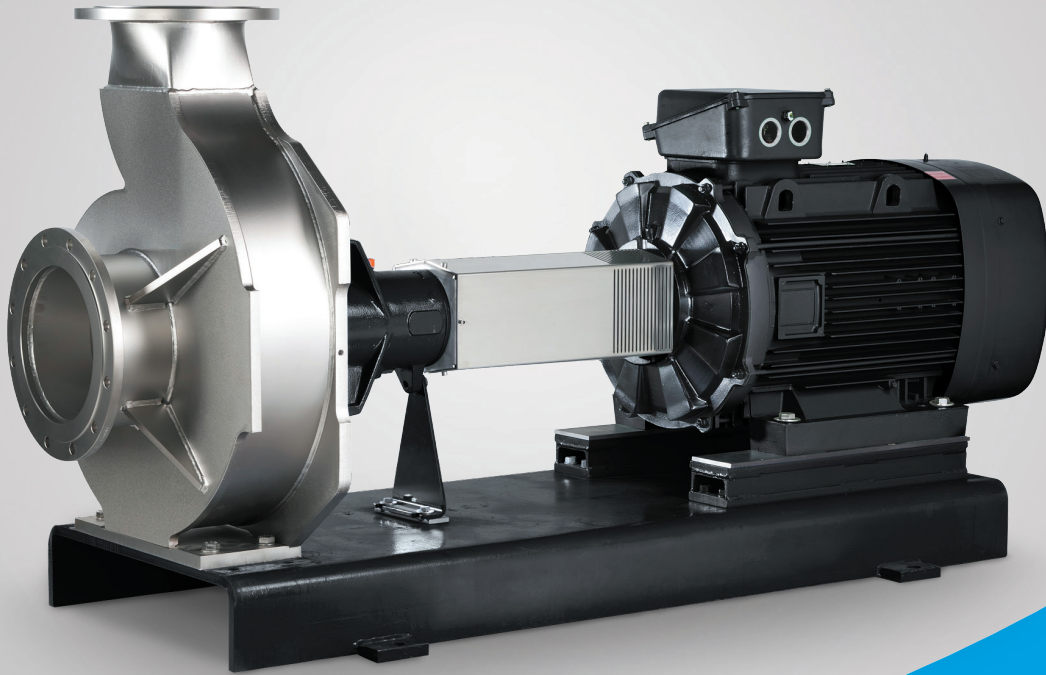


GEA VARIPUMP



GEA Hilge MAXA

Single-stage, End-suction Centrifugal
Pumps for Advanced Applications

Heavy-Duty Pumps for Industrial Processes

The GEA Hilge MAXA range in the GEA VARIPUMP line offers single-stage, end-suction centrifugal pumps designed for heavy-duty operation in industrial processes.

High quality throughout

The GEA Hilge MAXA range is made from deep-drawn, rolled stainless steel in AISI 316L (1.4404). Flexible mounting options are available, such as a close-coupled pump, a close-coupled pump with bearing bracket or a base plate pump version (with motors up to 215 hp). The GEA Hilge MAXA range employs closed impellers with optimized efficiency and NPSH. Flange or thread connections according to ANSI standards are available.

For some GEA Hilge MAXA pump sizes, an inducer for NPSH improvements is available as an option, also a channel impeller for pumping media with high solids content.

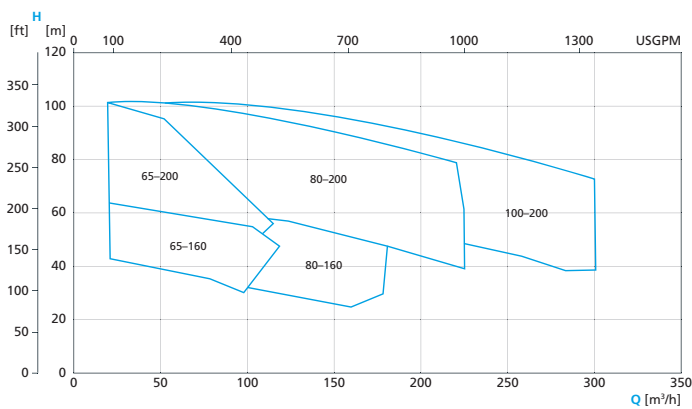
DESIGN VARIANTS – GEA HILGE MAXA

Standard variants	Description
GEA Hilge MAXA Bloc	Close-coupled pump, horizontal installation
GEA Hilge MAXA L	Close-coupled pump with bearing bracket, horizontal installation
GEA Hilge MAXA Adapta	Close-coupled pump with bearing bracket and coupling, horizontal installation
GEA Hilge MAXA CN	Bearing bracket pump mounted on base plate, horizontal installation

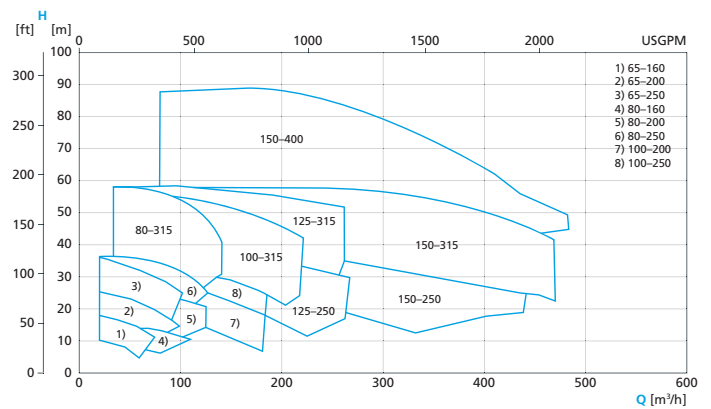
TECHNICAL DATA

GEA Hilge MAXA	
Flow	up to 5812 gpm (1320 m ³ /h)
Head	up to 328 ft (100 m)
Operating pressure	145 psi (10 bar)
Liquid temperature	203 °F (95 °C) 302 °F (150 °C) upon request

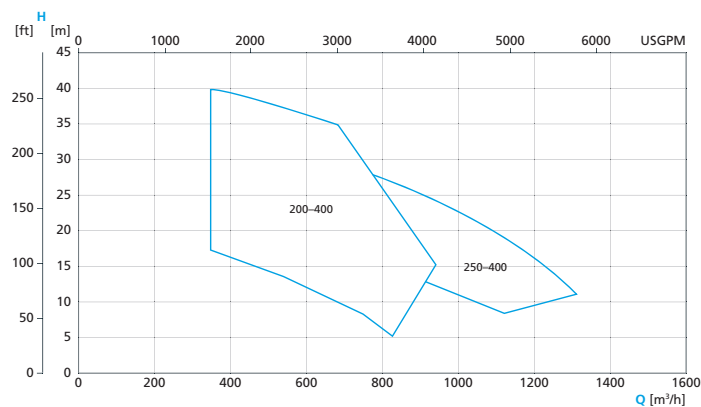
GEA HILGE MAXA PERFORMANCE CURVE
60 HZ – 2-POLE



GEA HILGE MAXA PERFORMANCE CURVE
60 HZ – 4-POLE

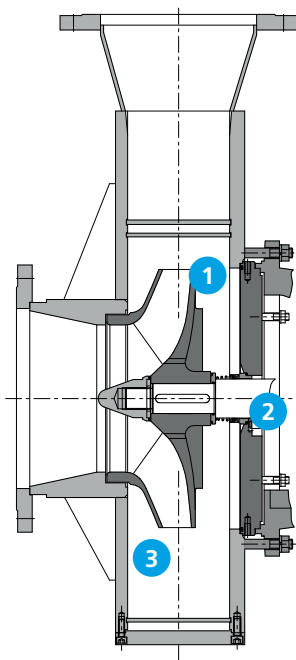


GEA HILGE MAXA PERFORMANCE CURVE
60 HZ – 6-POLE





FEATURES AND BENEFITS



A wide variety of applications

The highly reliable GEA Hilge MAXA pumps are suitable for:

Food & beverage

- Breweries – gentle pumping of mash and wort along with beer filtration
- Dairy wastewater
- Food processing
- CIP systems
- Filtration recirculation applications

Industrial applications

- Water treatment plants
- Chemical handling
- Liquids with high contents of solids
- Bio fuels

1 Materials

All wet end parts made of corrosion-resistant chromium nickel molybdenum alloy steel 316L

2 Inboard mechanical seals

Inboard shaft seals to ensure efficient cleaning, lubrication and cooling

3 Robust high-precision construction

Optimized hydraulics in housing and impeller for improved efficiency, gentle product handling and improved NPSH



GEA Hilge MAXA CN

Shaft seals – choose the one to suit you

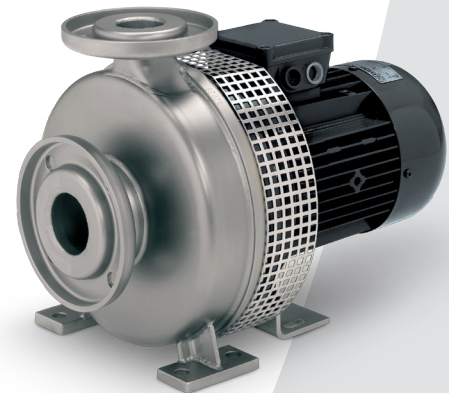
A wide range of shaft seal options is available to suit different media and applications. The single inboard seals maintain the optimum position in the liquid. This ensures efficient cleaning, lubrication and cooling.

Certificates and documents

- FDA and EHEDG certificates
- Surface roughness measurement

Seal options

- Tandem double mechanical seals
- Back-to-back double mechanical seals
- Cartridge sealing systems (upon request)



GEA Hilge MAXA Bloc



We live our values.

Excellence • Passion • Integrity • Responsibility • GEA-versity

GEA is a global technology company with multi-billion euro sales operations in more than 50 countries. Founded in 1881 the company is one of the largest providers of innovative equipment and process technology. GEA is listed in the STOXX® Europe 600 Index. In addition, the company is included in selected MSCI Global Sustainability Indexes.

GEA North America

33 McAlister Farm Road
Portland, ME 04103
Toll-Free 866 531 5629
Fax 207 878 7914

GEA Canada

5045 South Service Road, Suite 201
Burlington, Ontario L7L 5Y7
Tel 289 288 5500

Email sales.unitedstates@gea.com
gea.com